



YML01CR-HDxxF LENS



PRODUCT DESCRIPTION

Features:

- High efficiency >93%
- Available in 13 beam pattern
- Optimized for uniform effects
- Lens material Optical grade PMMA
- Lens without holder

Typical applications:

- Stage Lighting
- Street Lights
- Decorative Light
- Down Light

TABLE OF CONTENTS

General Information2
Usage and Maintenance2
2D Drawings 3-15
Optical Characteristics (for 3535 led) 3-15
Package Information16
Product Nomenclature17



General Information (T_J = 25°C)

- **Compatible Led Type:**

The YML01CR-HDxxF single lens is optimized for 3535 led .

- **Beam Angle Type:**

An optimized profile integrate different front shape enable the general of thirteen lens model: oval beam (10 deg;25 deg;30 deg;40 deg;60 deg;10*30 deg;10*65 deg;10*70 deg;20*65 deg) (PG10 deg;PG25 deg;PG40 deg;PG10*45 deg) ⁽¹⁾

- **The Way to Assembly:**

The lens should be assembled to the PCB board or MCPCB upon LEDs which provides the most appropriate related position, so as to achieve the best uniform results.

*** Manually installation or if necessary thermal glue are recommended.**

- **Fuction:**

YML01CR-HDxxF provides excep tional color mixing result with the highest efficiency through careful engineering and precision manufacturing process.

Usage and Maintenance

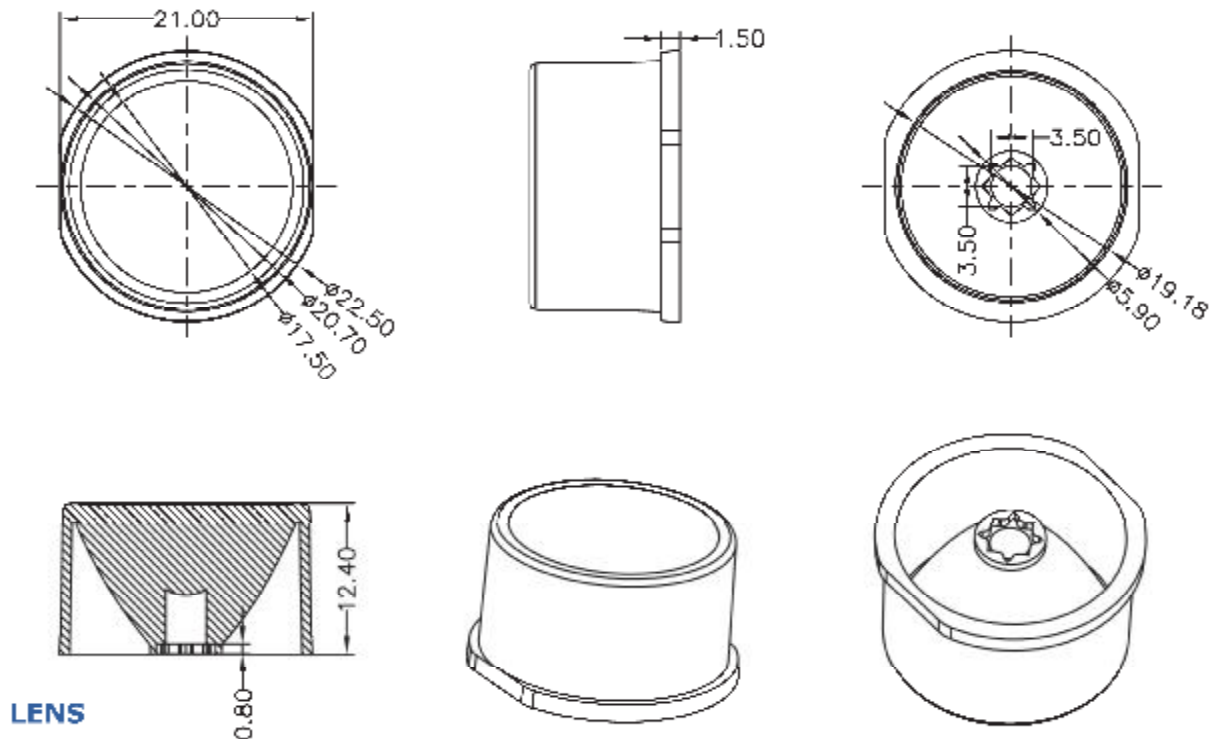
- 1.Clean lenses with mild soap and water and a soft cloth.
- 2.Don't use any commercial cleaning solvents on lenses,like alcohol.
- 3.Operating temperature -40℃ ~+80℃ (upper limit +90℃)
- 4.please handle or install lenses with wearing gloves,skin oils may damage lens or optical characteristic.

Notes:

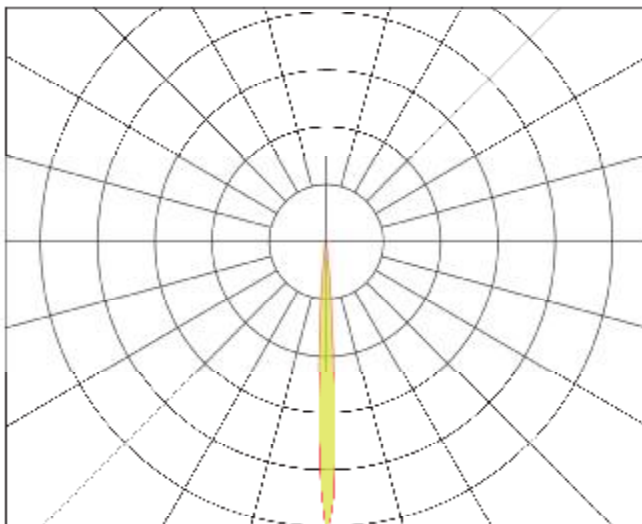
(1) Typical beam divergence will be affected by different LED manufacturers.



2D Drawings (unit:mm)



Optical Characteristics (for 3535 LED)

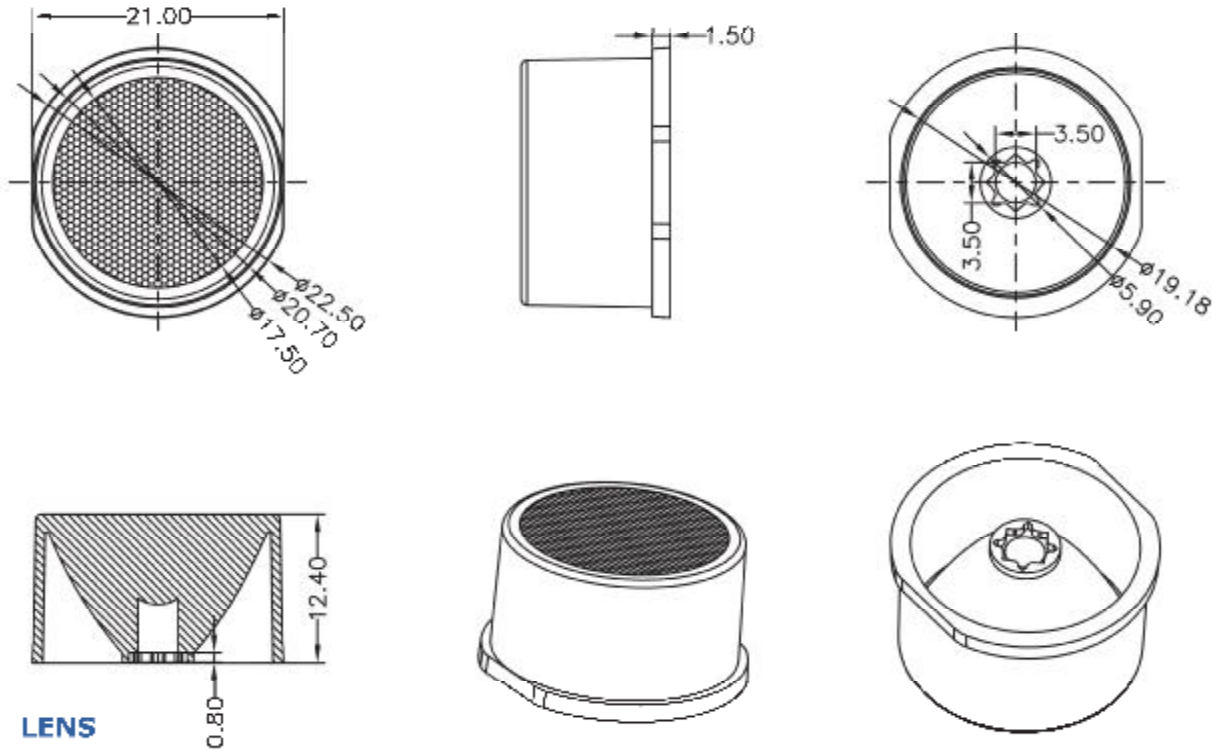


Note: The CREE XP-E LED emitter flux is 120lm @350mA

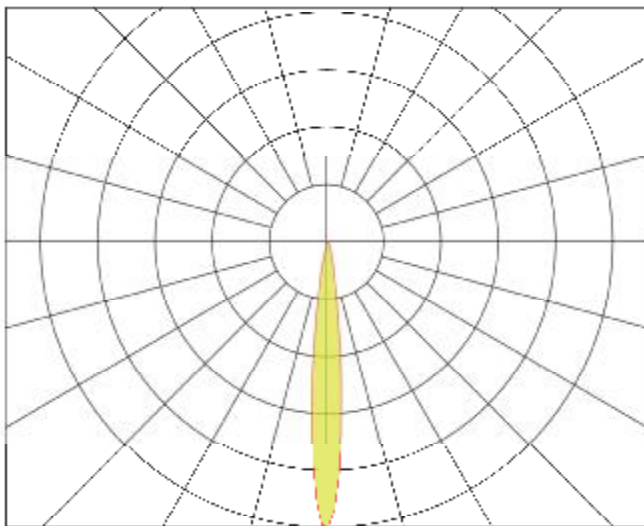




2D Drawings (unit:mm)



Optical Characteristics (for 3535 LED)

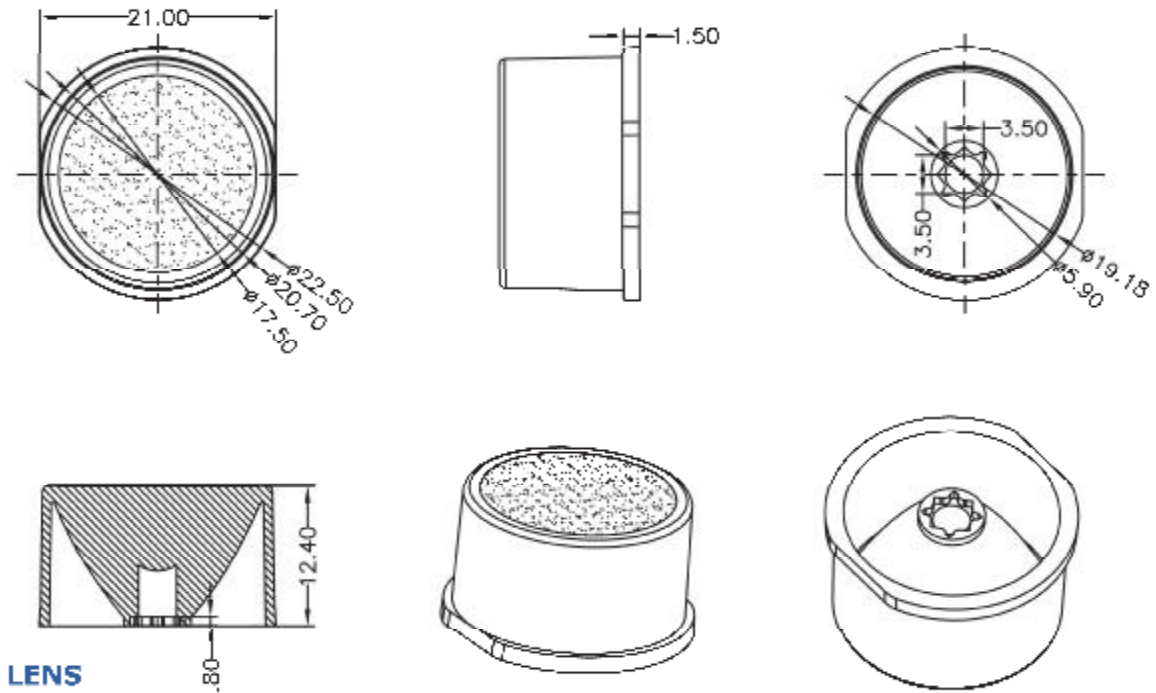


Note: The CREE XP-E LED emitter flux is 120lm @350mA

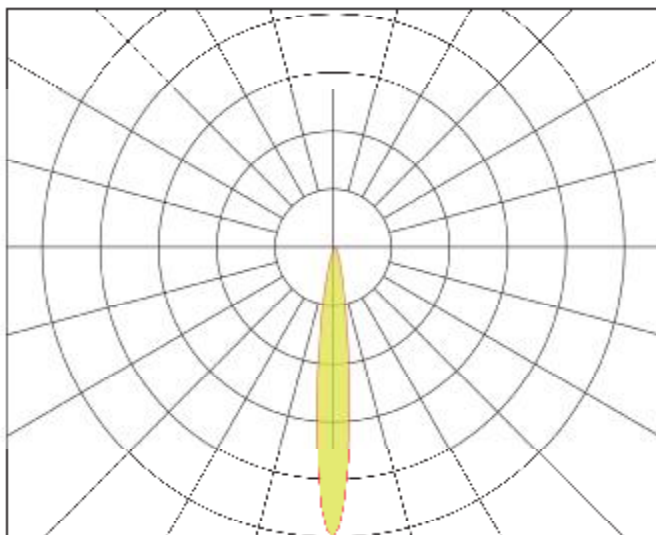




2D Drawings (unit:mm)



Optical Characteristics (for 3535 LED)

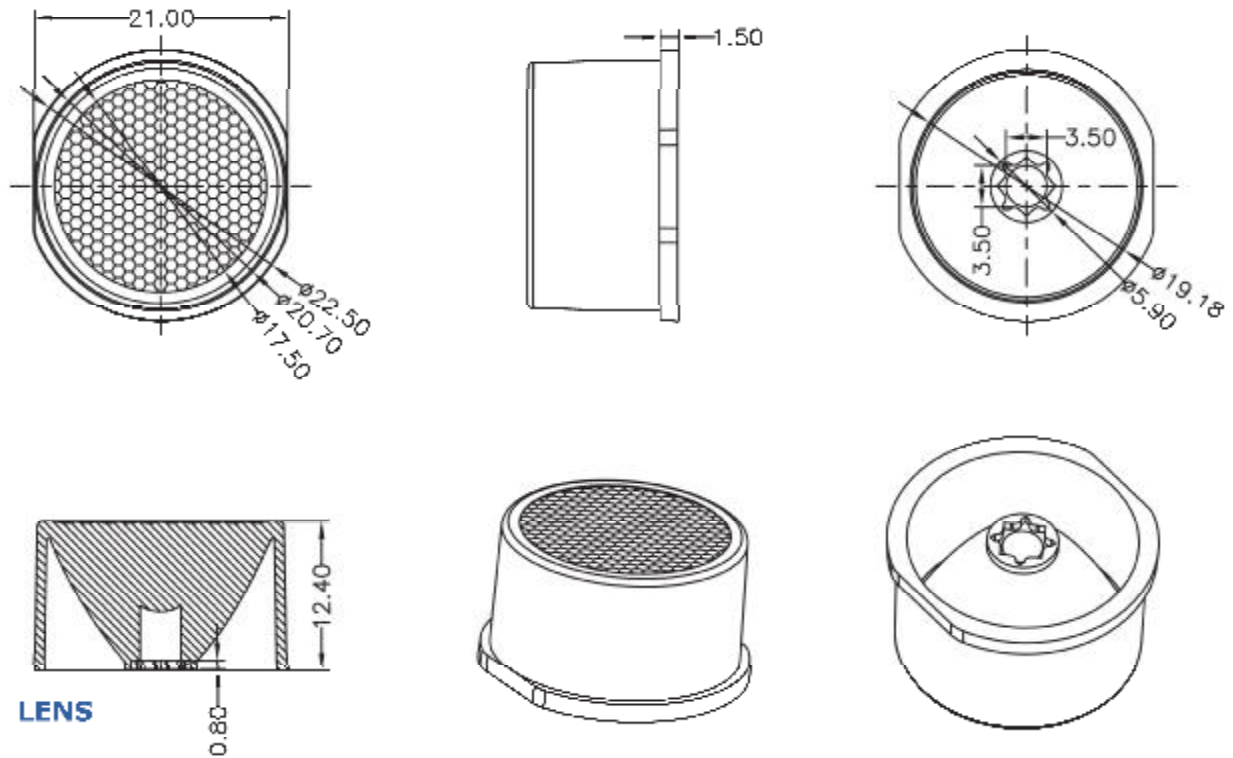


Note: The CREE XP-E LED emitter flux is 85lm @350mA

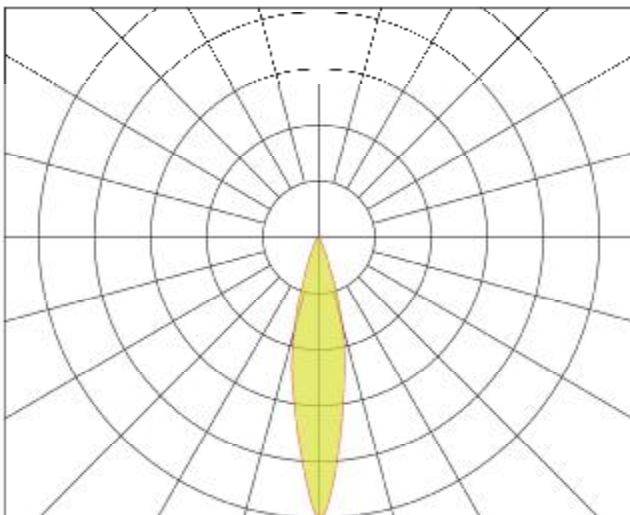




2D Drawings (unit:mm)



Optical Characteristics (for 3535 LED)

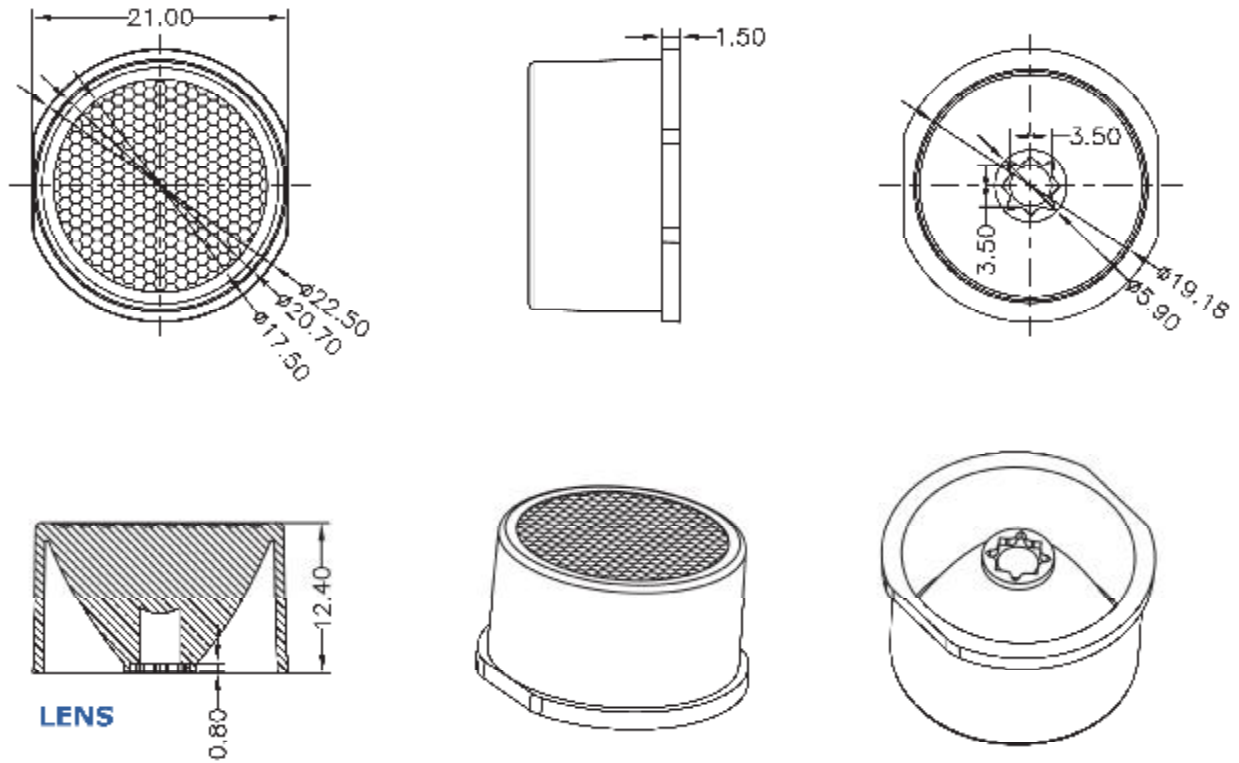


Note: The CREE XP-E LED emitter flux is 120lm @350mA

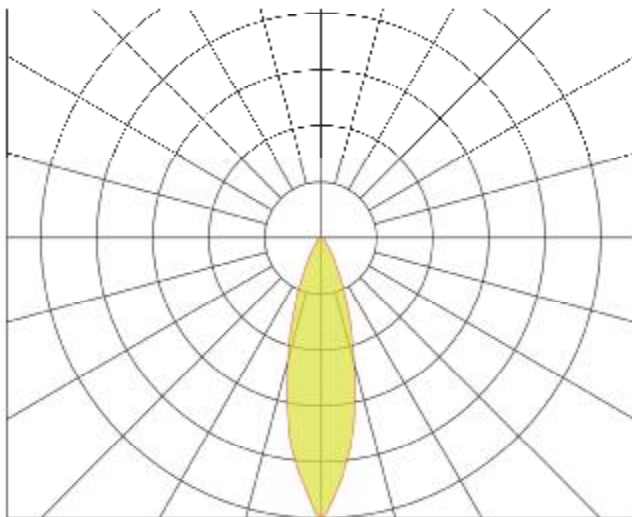




2D Drawings (unit:mm)



Optical Characteristics (for 3535 LED)

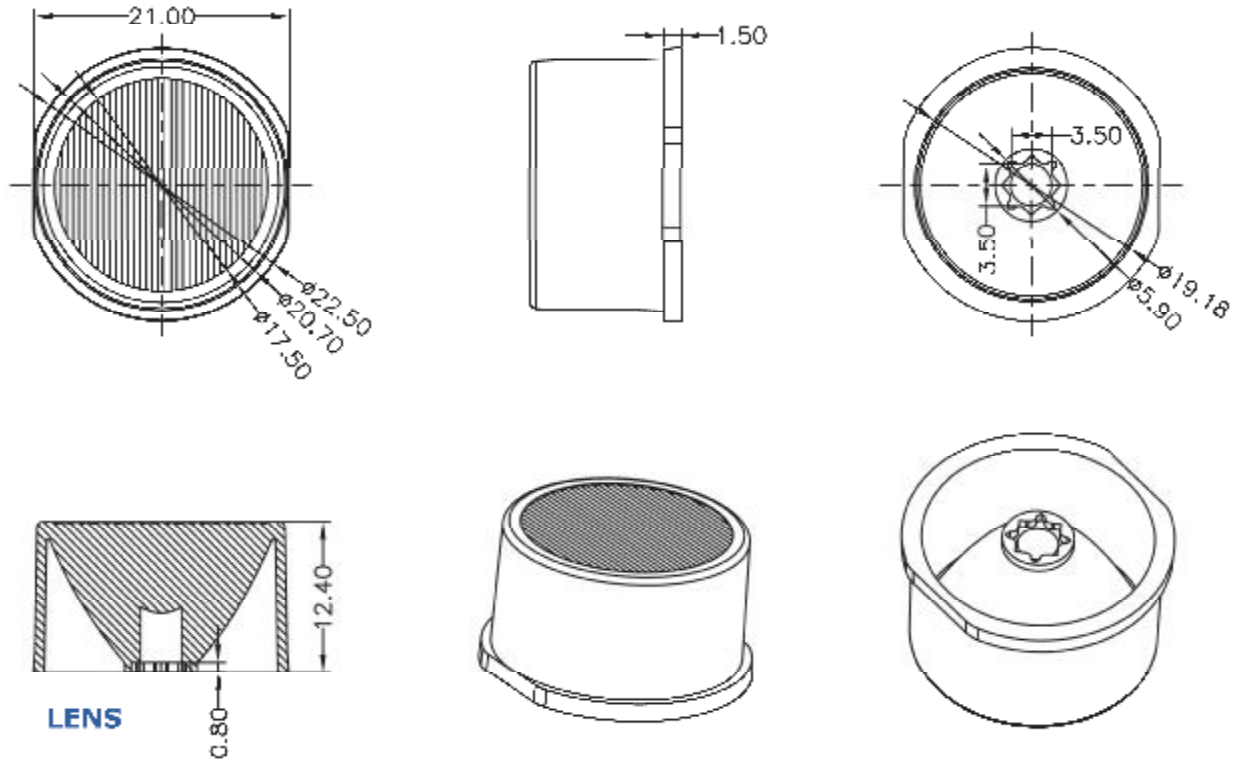


Note: The CREE XP-E LED emitter flux is 120lm @350mA

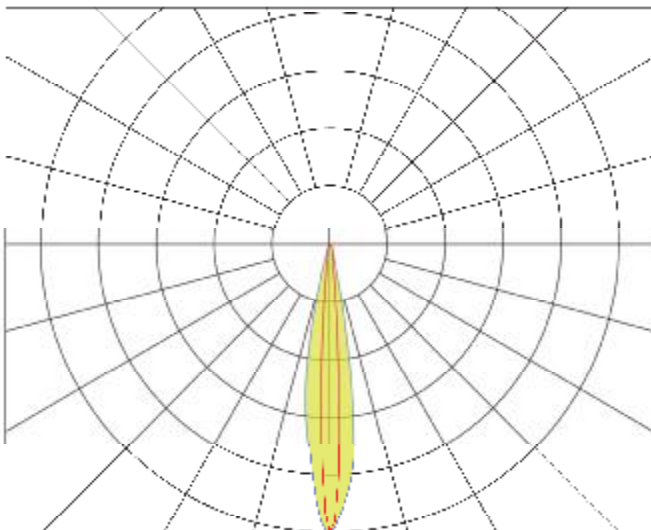




2D Drawings (unit:mm)



Optical Characteristics (for 3535 LED)

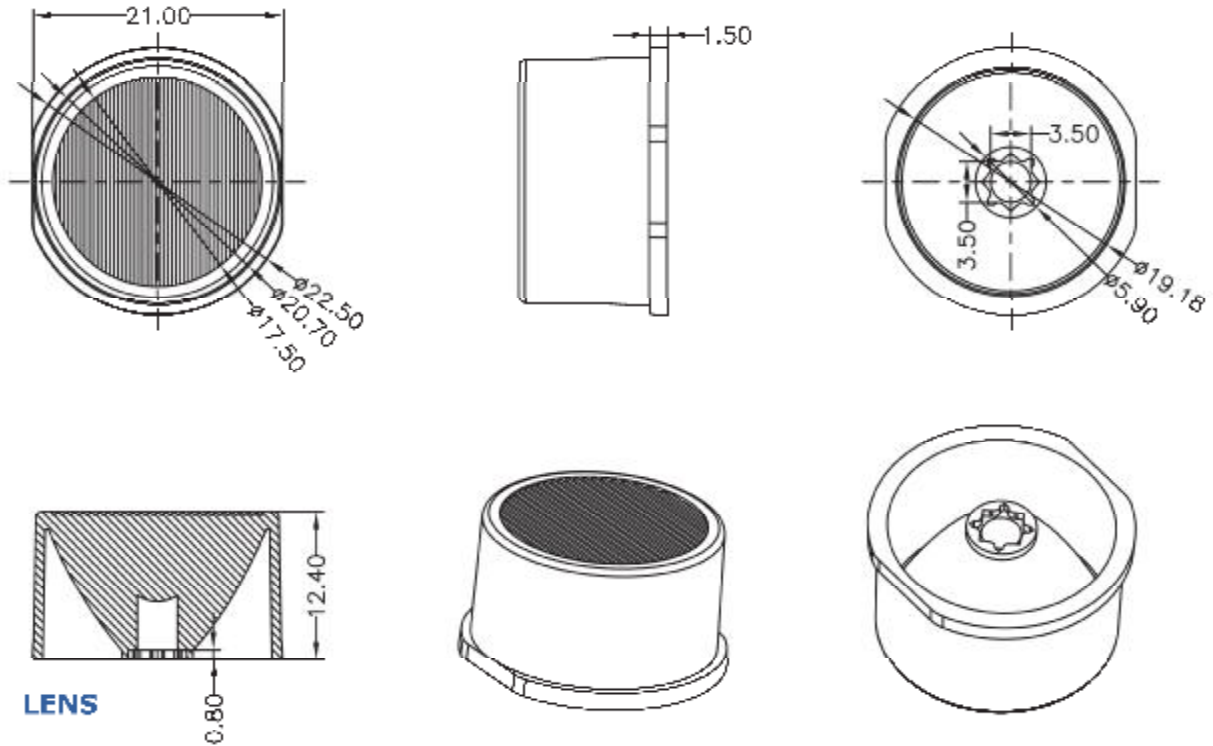


Note: The CREE XP-E LED emitter flux is 120lm @350mA

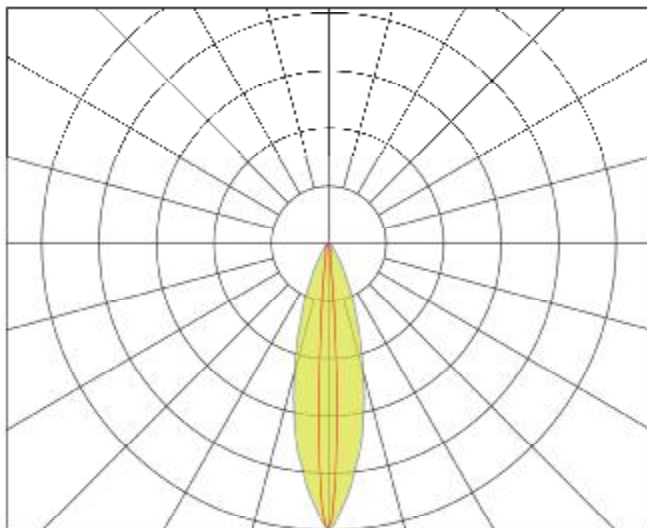




2D Drawings (unit:mm)



Optical Characteristics (for 3535 LED)

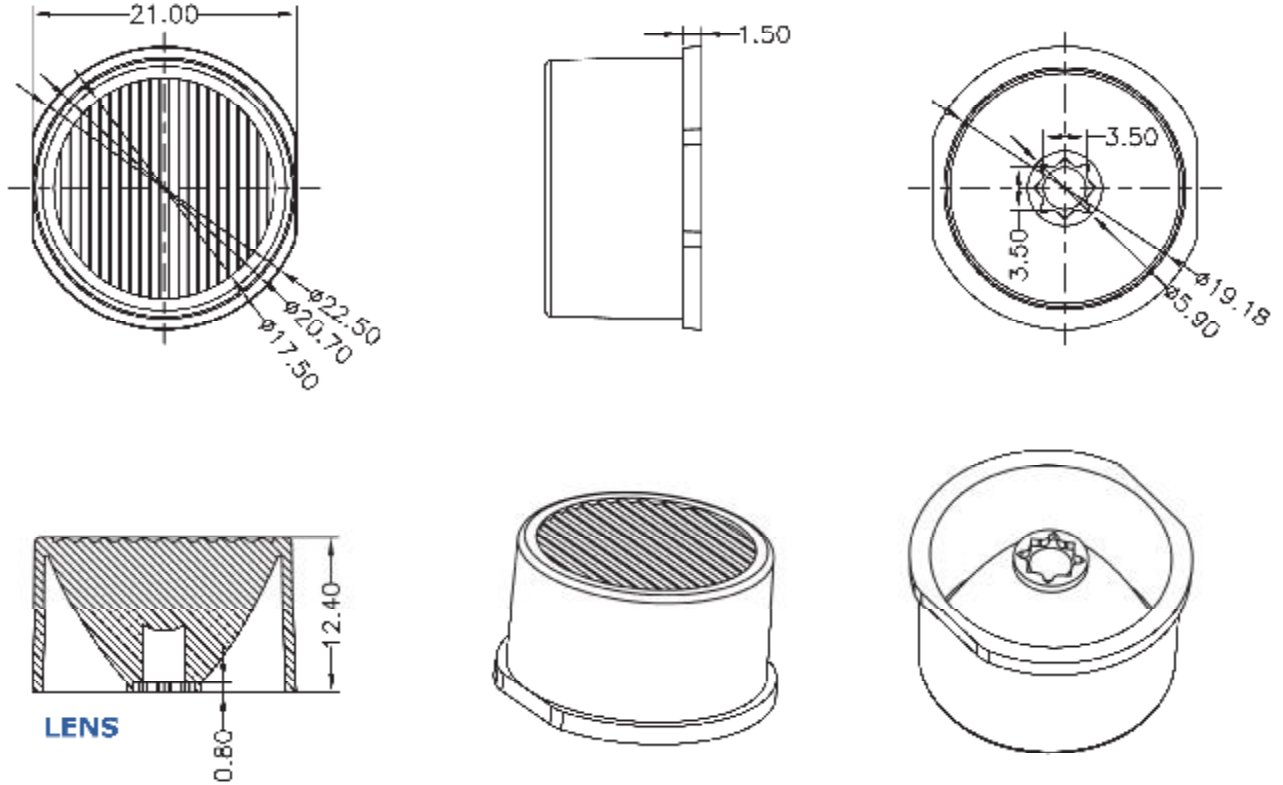


Note: The CREE XP-E LED emitter flux is 120lm @350mA

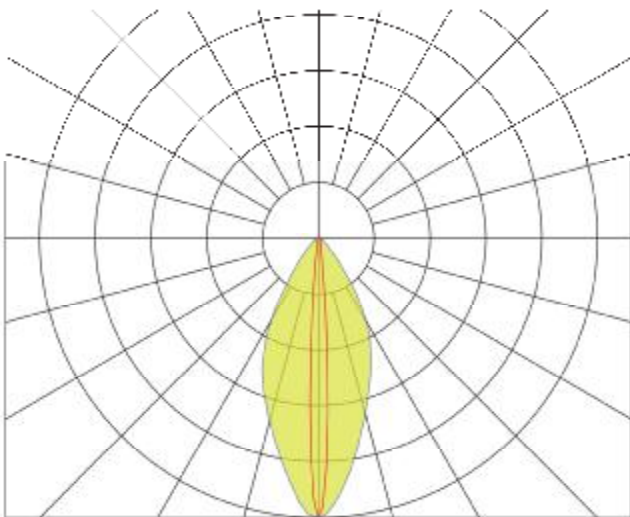




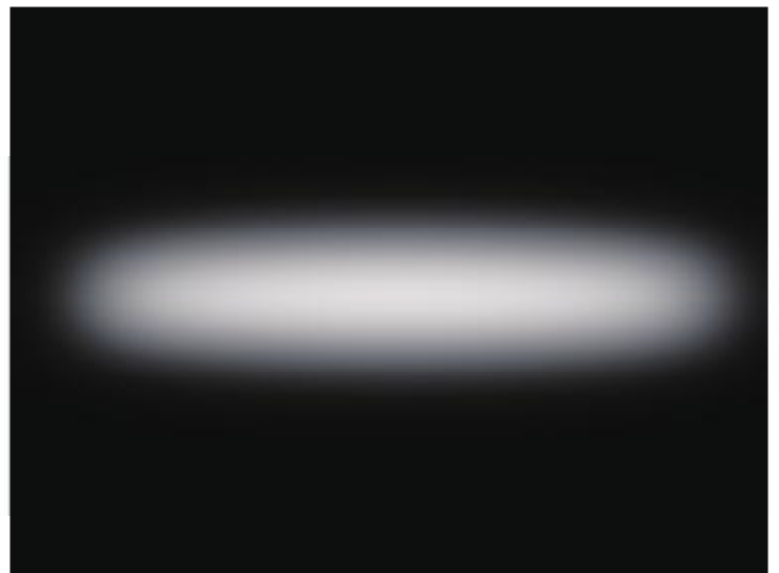
2D Drawings (unit:mm)



Optical Characteristics (for 3535 LED)

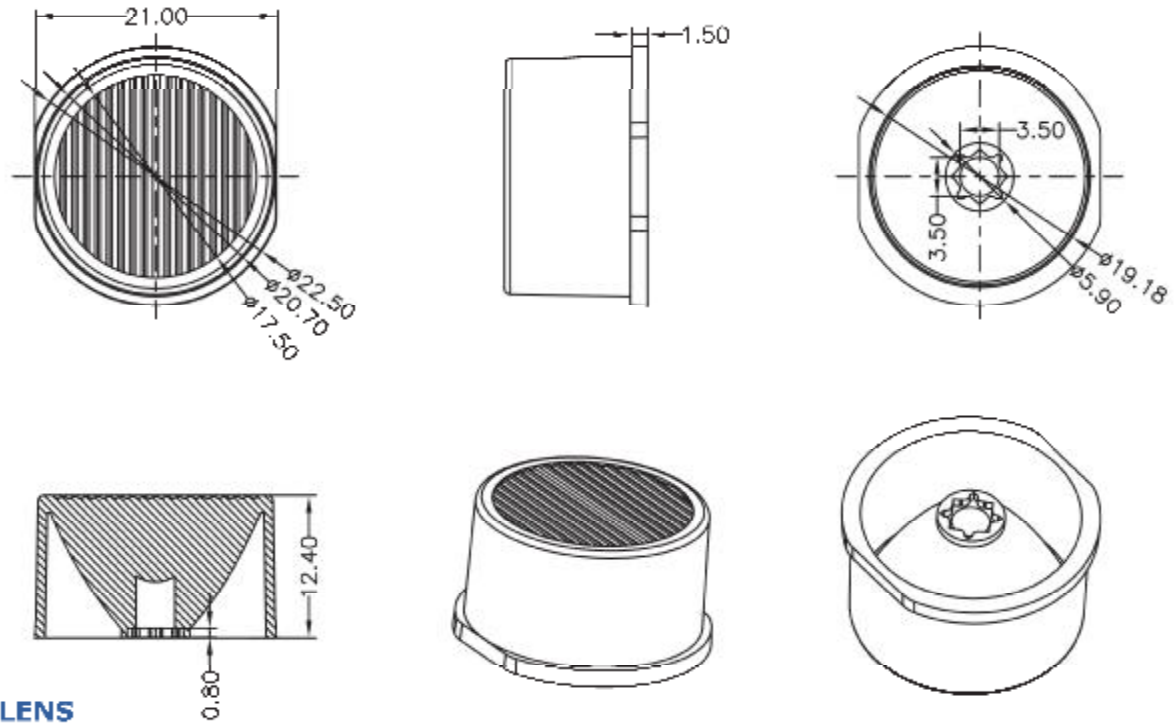


Note: The CREE XP-E LED emitter flux is 120lm @350mA

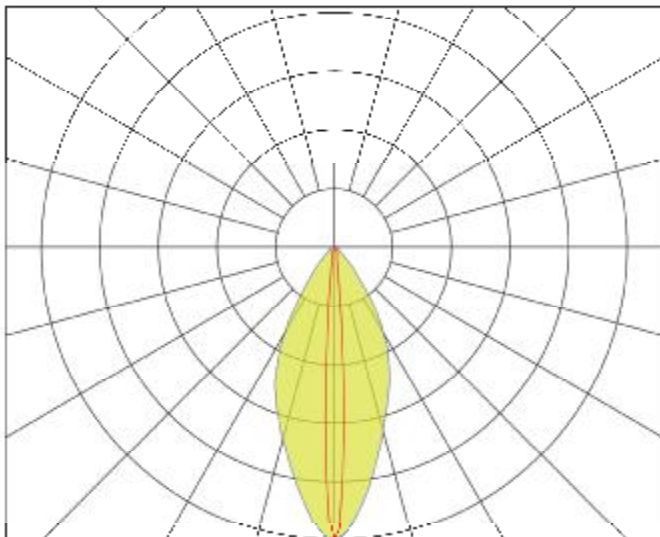




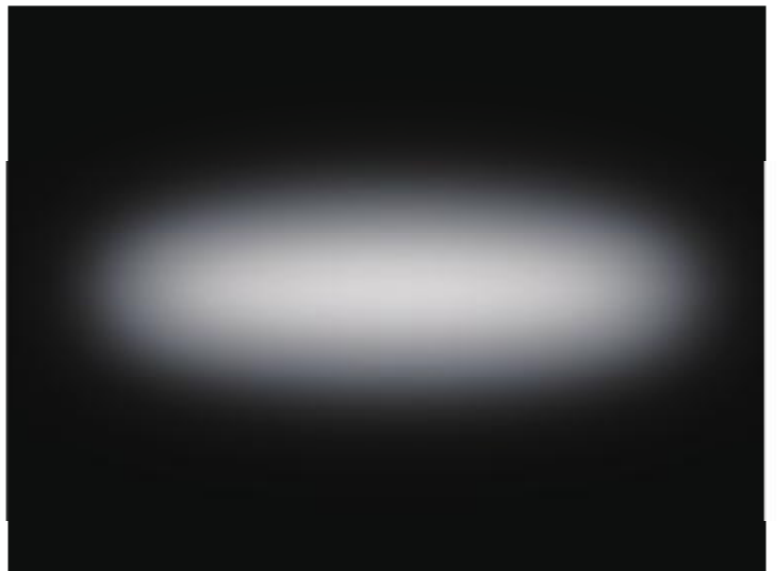
2D Drawings (unit:mm)



Optical Characteristics (for 3535 LED)

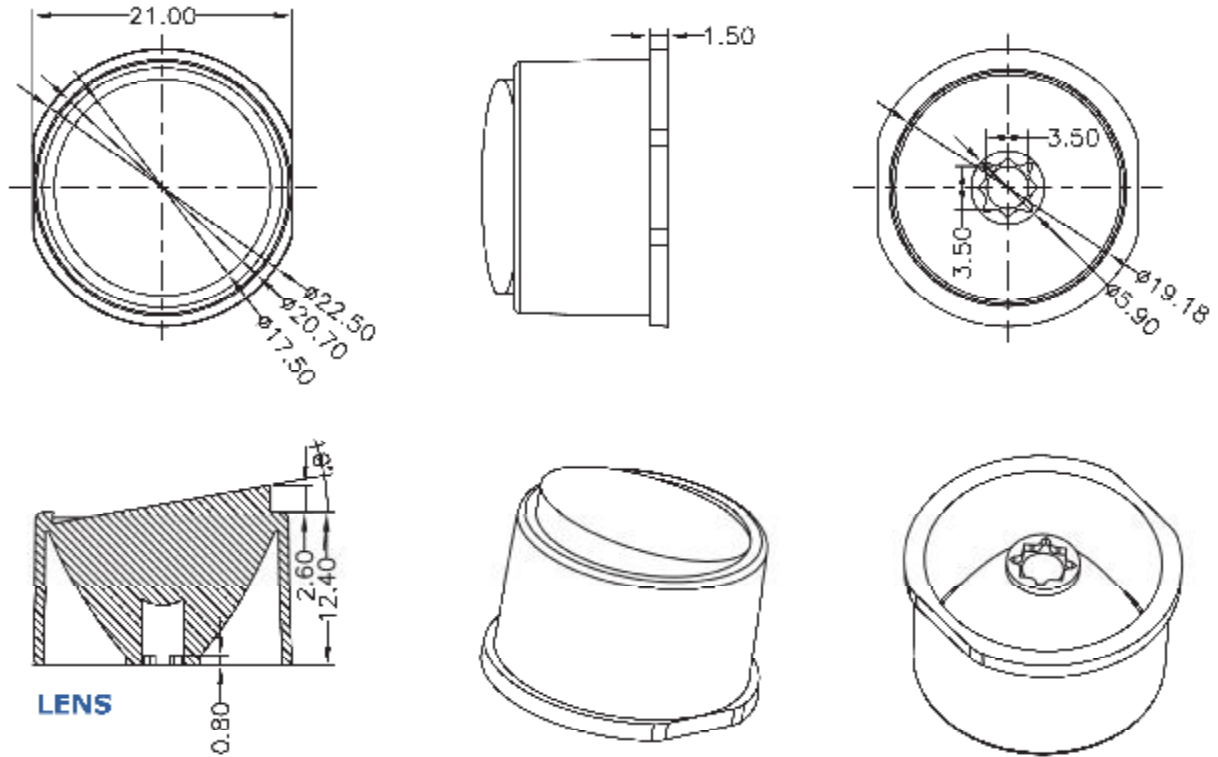


Note: The CREE XP-E LED emitter flux is 120lm @350mA

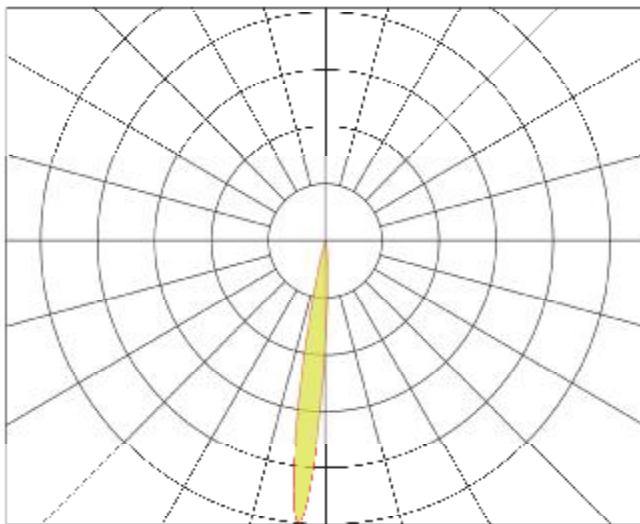




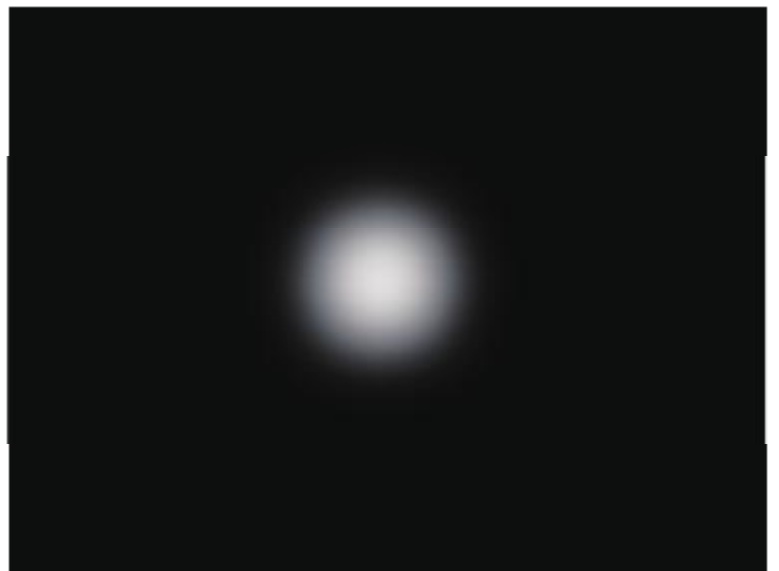
2D Drawings (unit:mm)



Optical Characteristics (for 3535 LED)

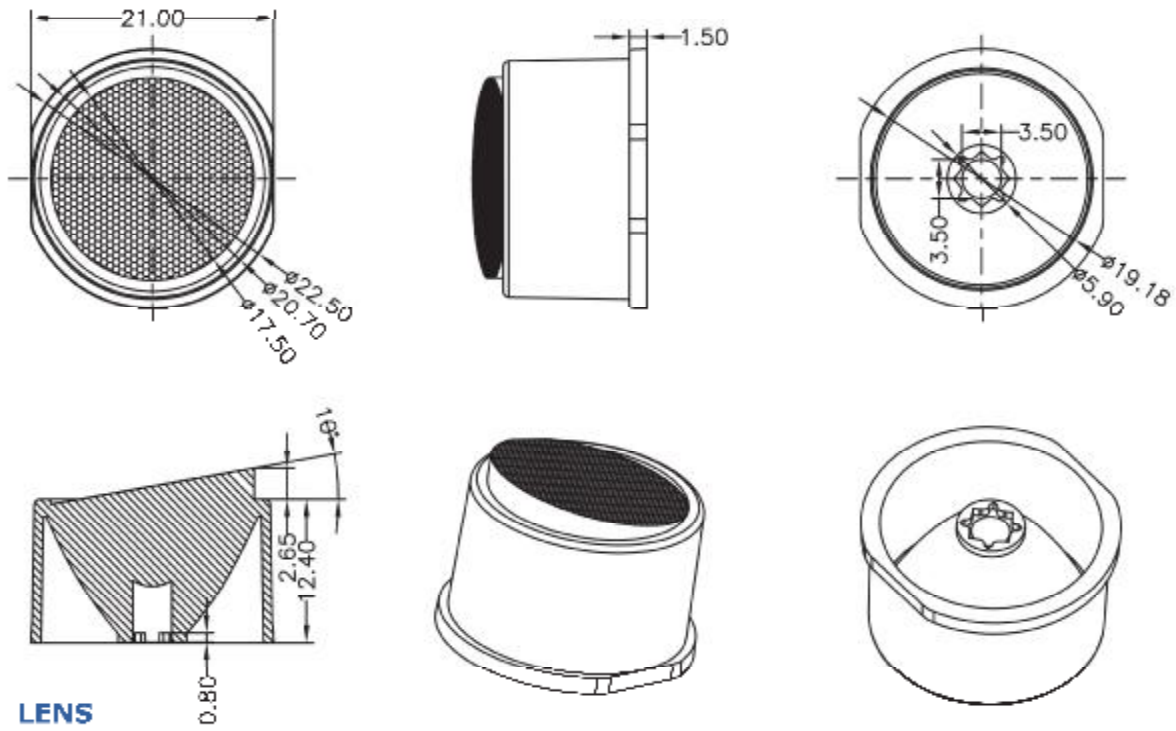


Note: The CREE XP-E LED emitter flux is 120lm @350mA



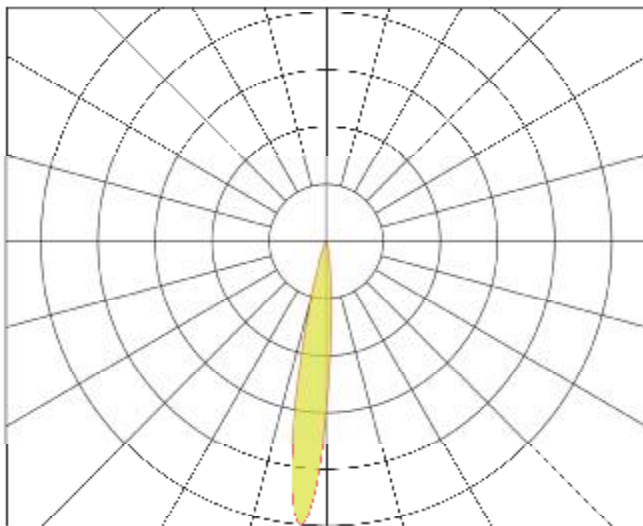


2D Drawings (unit:mm)



LENS

Optical Characteristics (for 3535 LED)

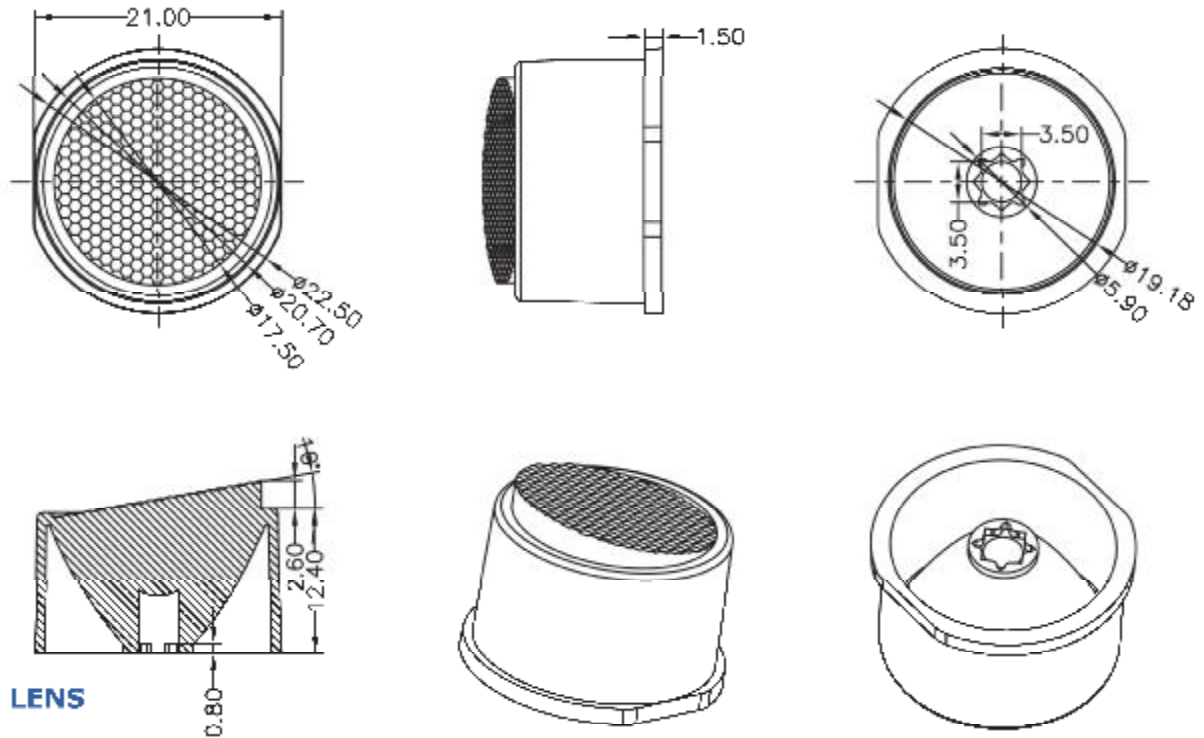


Note: The CREE XP-E LED emitter flux is 120m @350mA

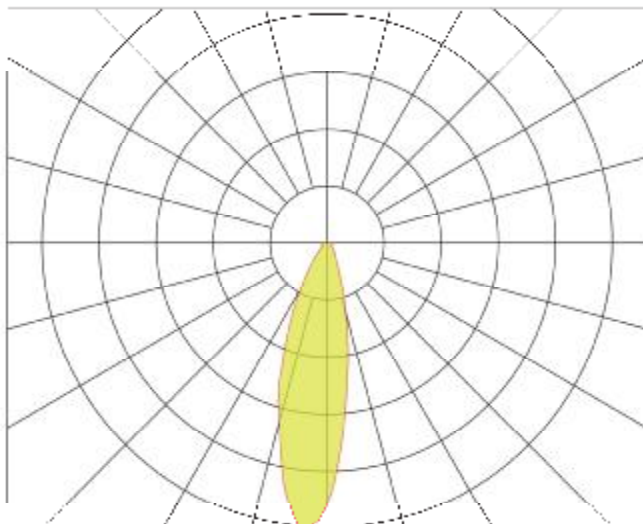




2D Drawings (unit:mm)



Optical Characteristics (for 3535 LED)

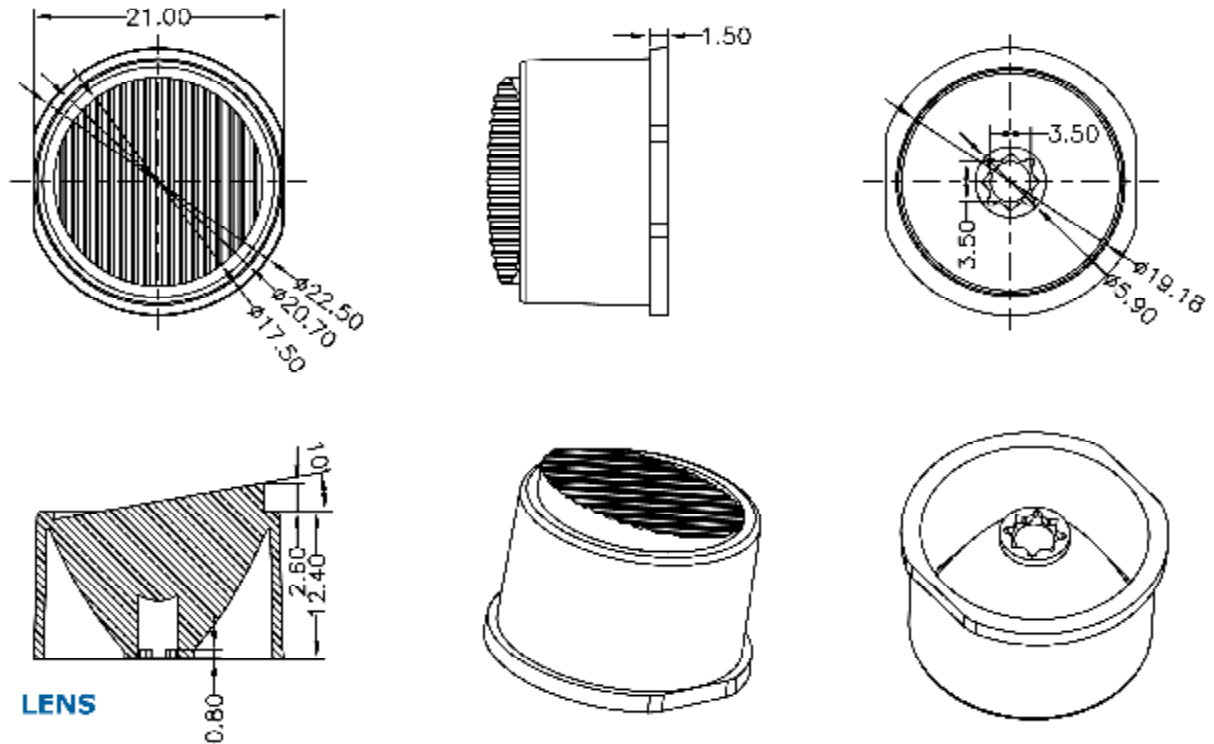


Note: The CREE XP-E LED emitter flux is 120lm @350mA

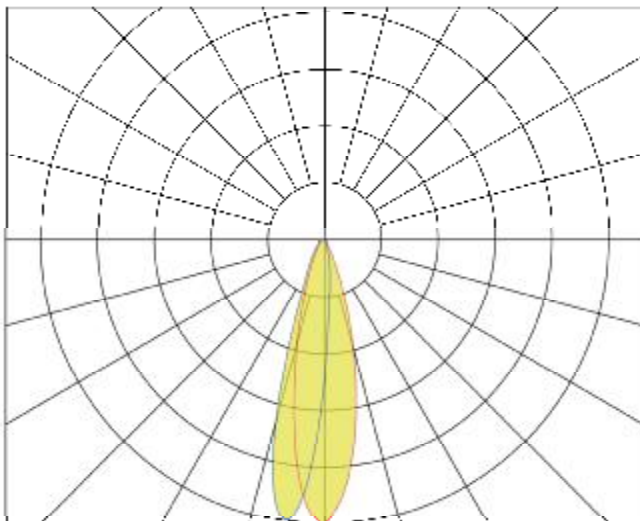




2D Drawings (unit:mm)



Optical Characteristics (for 3535 LED)



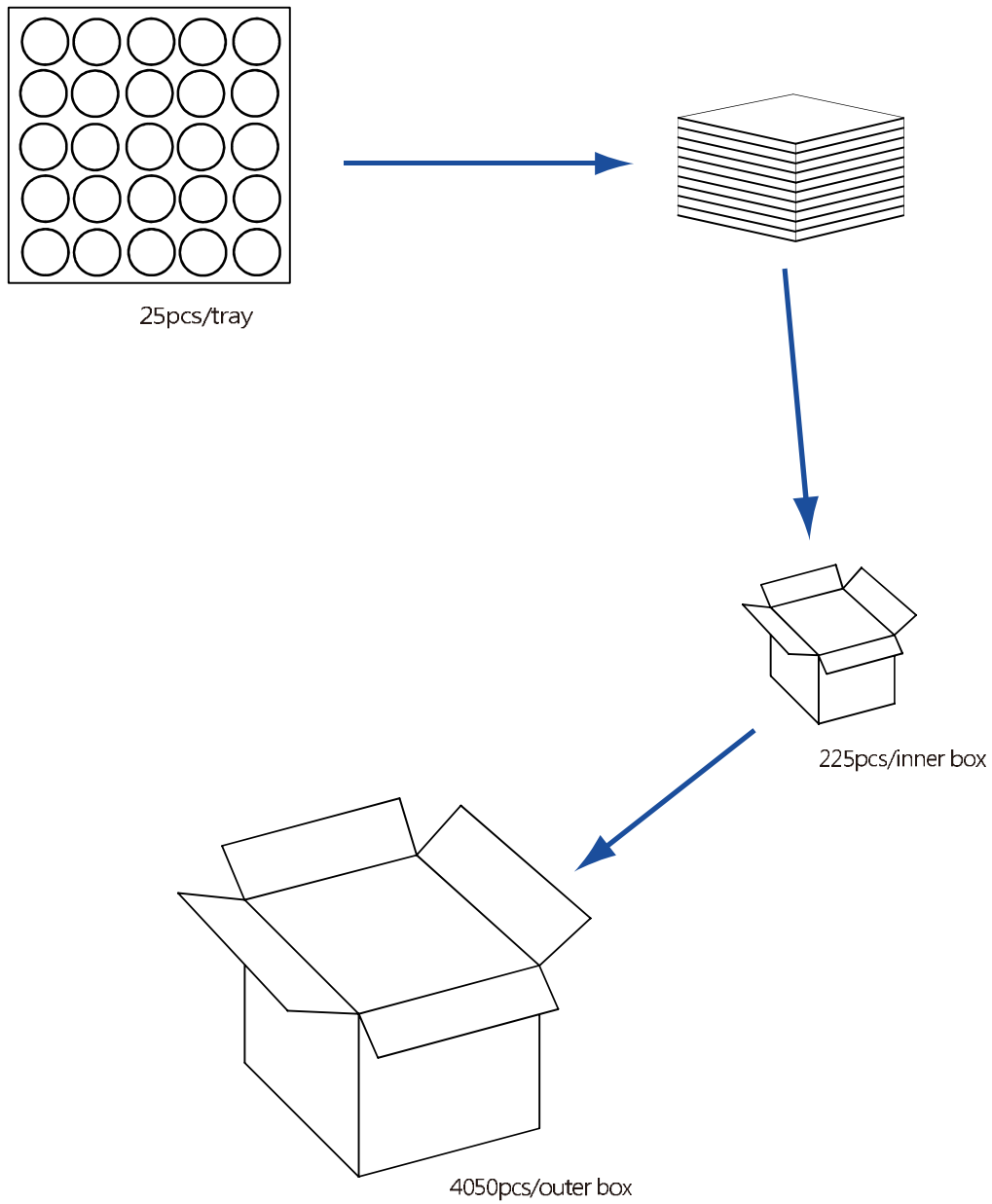
Note: The CREE XP-E LED emitter flux is 120lm @350mA





Package Information

Item	Quantity	Total	Size (long*width* high)
Tray	25pcs/tray	25pcs	-
Inner box	9 tray/inner box	225pcs	12.5*12.5*12.5 cm
Outer box	18 inner box/outer box	4050pcs	42.0*39.0*39.0 cm





Product Nomenclature

